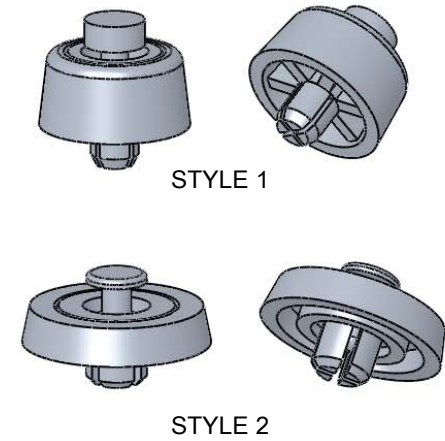
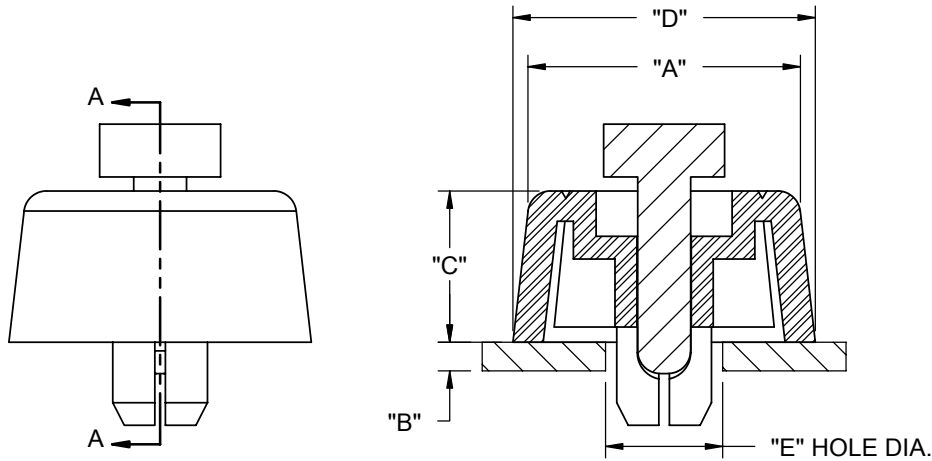


PART NO.	"A" REF	"B" THICKNESS RANGE	"C" REF	"D" REF	"E"±.002 [0.05] DIA. HOLE	STYLE
SFF-018	.71 [18]	.031-.059 [0.8-1.5]	.39 [10]	.79 [20]	.305 [7.75]	1
SFF-021	.79 [20]	.197-.315 [5-8]	.24 [6]	.83 [21]	.305 [7.75]	1
SFF-023	.91 [23]	.031-.059 [0.8-1.5]	.20 [5]	.98 [25]	.305 [7.75]	2
SFF-028	.71 [18]	.031-.059 [0.8-1.5]	.59 [15.]	.79 [20]	.305 [7.75]	1



- NOTES:  
 1. MATERIAL: FOOT: SANTOPRENE (RMS-42),80 DUROMETER, SHORE A  
 PIN: POLYPROPYLENE (RMS-126)  
 2. COLOR: BLACK.  
 3. SHEAR FORCE: 10 KG MIN.

G			SK 01/12/07			TITLE: SOFT FAST FEET			DWG IN IN [MM]		PRINT TYPE	
SEE ECN #1271 FOR CHANGES			SK 01/12/07			FILE #: SFF			DWN: SK		APP: R.T.	
SEE ENGINEERING FOR REVISIONS A-F			---			SHEET: 1 OF 1			SHEET SIZE: A		DT: 01/12/07	
REVISIONS			ENGR. DATE			RE: RICHCO, INC.			RICHCO, INC.		PART #	
DESCRIPTION			ENGR. DATE			RICHCO, INC.			ENG@RICHCO-INC.COM		SEE TABLE	
						ANG.±1°			(773) 539-4060		CA	